

## RANGE COMPOSITION

EVO700: range comprised of over 100 models designed to guarantee the highest level of performance, reliability, energy saving, safety standards and ergonomic operation. These concepts are reflected throughout the line in its modularity, construction and numerous configurations. Thanks to its advance technology and premium performance, the EVO700 is a perfect solution for institutions with a limited footprint as well as restaurants needing to obtain the most from the kitchen space. The models detailed in this sheet are HP induction plate tops available in half or full module versions.



178041

# EVO700

## HP INDUCTION TOPS **ZANUSSI** PROFESSIONAL

### FUNCTIONAL AND CONSTRUCTION FEATURES

- ◆ One piece pressed worktop in 1,5mm stainless steel with smooth, rounded corners.
- ◆ Front panel in stainless steel with Scotch Brite finish.
- ◆ 6 mm thick Ceran® glass cooking surface lying flush to the stainless steel frame of the working top for smooth pan movement and ease of cleaning.
- ◆ 2/4 independently controlled induction zones with diameter 230 mm and power 5 kW allowing very low cooking times and avoiding heating dispersions
- ◆ Cooking zones are activated only when in direct contact with pans that are specific for induction plates. The cooking zone not in contact with a pan is not activated and remains cold.
- ◆ Induction plates are complete with overheating safety device
- ◆ The induction plates on model

372023 are placed side by side for frontal cooking.

- ◆ Control panel with 9 different levels of power, allowing an easy and precise cooking. Ideal for cooking delicate foods.
- ◆ IPX4 water protection.
- ◆ Main connections can be via the rear of the unit.
- ◆ All models have right-angled, laser cut side edges to allow for the flush-fitting of units side-by-side thus eliminating gaps and possible dirt

traps.

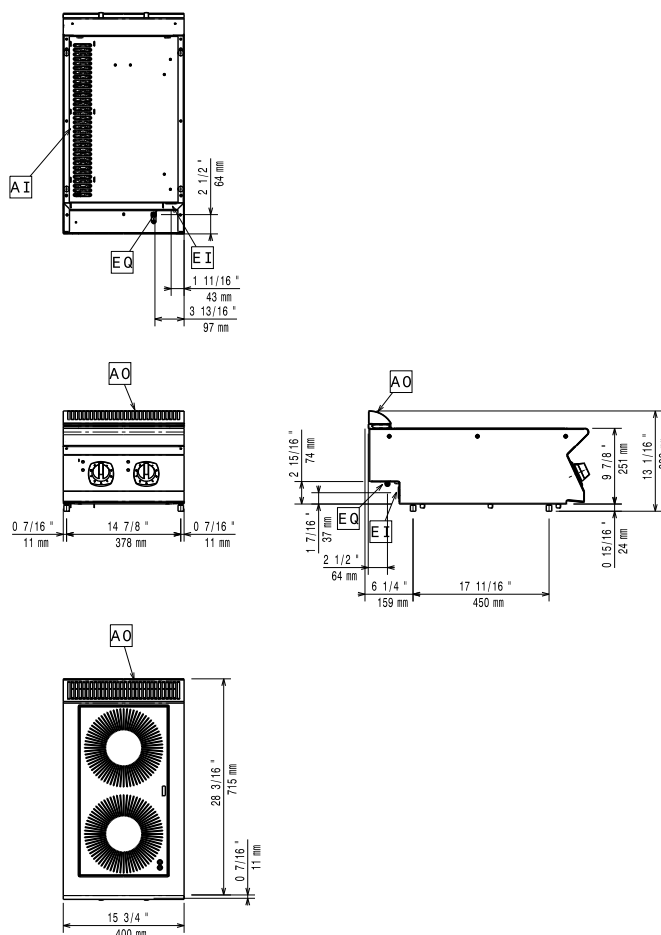
- ◆ Access to all components from the front.
- ◆ The special design of the control knobs and bezels guarantees against water infiltration.
- ◆ All models can be easily mounted on open base cupboards or bridging supports.
- ◆ All top models provided with service duct to facilitate installation.

TECHNICAL DATA			
CHARACTERISTICS	MODELS		
	Z7INED200P 372175	Z7INEH400P 372176	Z7INEH2F0P 372023
Power supply	Electric	Electric	Electric
External dimensions - mm			
width	400	800	800
depth	700	700	700
height	250	250	250
Back plate dimensions - mm	Ø 230	Ø 230, Ø 230	
Back plates power - kW	5	5, 5	
Front plates dimension - mm	Ø 230	Ø 230, Ø 230	Ø 230, Ø 230
Front plates power - kW	5	5, 5	5, 5
Total Power - kW	10	20	10
Net weight - kg.	20	40	40
Supply voltage	400 V, 3, 50/60	400 V, 3, 50/60	400 V, 3, 50/60

OPTIONAL ACCESSORIES			
ACCESSORIES	MODELS		
	Z7INED200P 372175	Z7INEH400P 372176	Z7INEH2F0P 372023
2 SIDE COVERING PANELS H=250-D=700-Z/OEM	206320	206320	206320
2 SIDE KICKING STRIPS-CONCRETE INST-700			206265
4 FEET FOR CONCRETE INSTALLATION			206210
CHIMNEY COVER 400MM OPEN	206284		
CHIMNEY UPSTAND 400MM	206303		
CHIMNEY UPSTAND 800MM		206304	206304
FLANGED FEET KIT			206136
FRONTAL HANDRAIL 1200 MM	206191	206191	206191
FRONTAL HANDRAIL 1600 MM	206192	206192	206192
FRONTAL HANDRAIL 400 MM	206166		
FRONTAL HANDRAIL 800 MM	206167	206167	206167
INDUCTION PAN+S/S HANDLE D=240MM	653597	653597	653597
INDUCTION PAN+S/S HANDLE D=280MM	653598	653598	653598
LARGE HANDRAIL(PORTIONING SHELF)400 MM	206185	206185	206185
LARGE HANDRAIL(PORTIONING SHELF)800 MM	206186	206186	206186
S/S INDUCTION PAN+S/S HANDLE D=200MM	653596	653596	653596
SIDE HANDRAIL-RIGHT/LEFT HAND-700 LINE	206240	206240	206240
SUPPORT FOR "BRIDGE" SYSTEM 1000 MM	206138	206138	206138
SUPPORT FOR "BRIDGE" SYSTEM 1200 MM	206139	206139	206139
SUPPORT FOR "BRIDGE" SYSTEM 1400 MM	206140	206140	206140
SUPPORT FOR "BRIDGE" SYSTEM 1600 MM	206141	206141	206141
SUPPORT FOR "BRIDGE" SYSTEM 400 MM	206154		
SUPPORT FOR "BRIDGE" SYSTEM 800 MM	206137	206137	206137
WATER COLUMN EXTENSION FOR 700 LINE	206291	206291	206291
WATER COLUMN WITH SWIVEL ARM	206289	206289	206289



www.zanussiprofessional.com



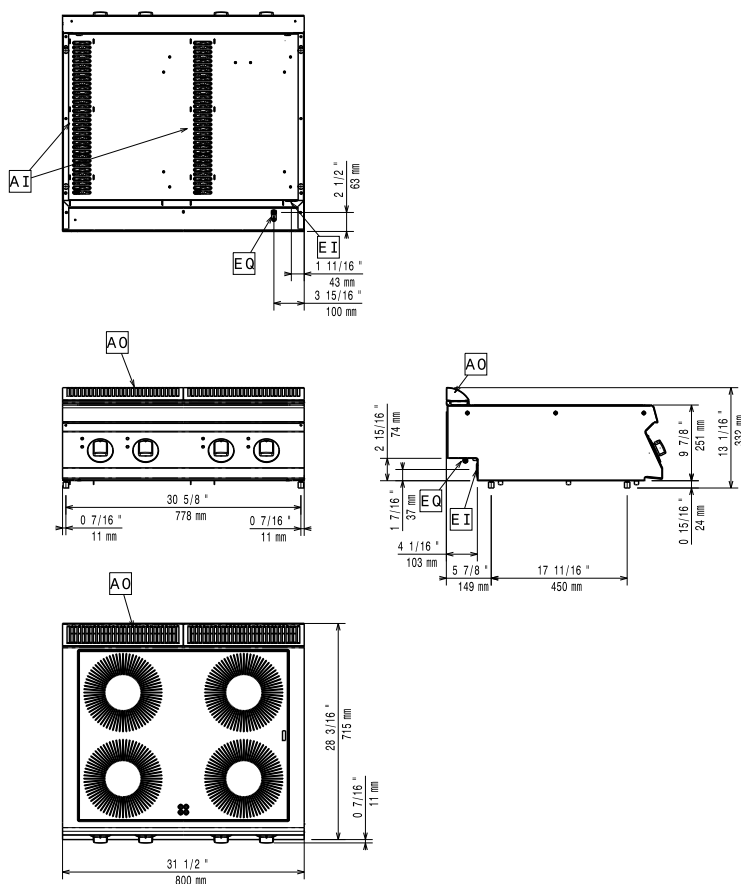
597856000

**LEGEND**

	<b>Z7INED200P</b> <b>372175</b>
EI - Electrical connection	400 V, 3, 50/60



www.zanussiprofessional.com



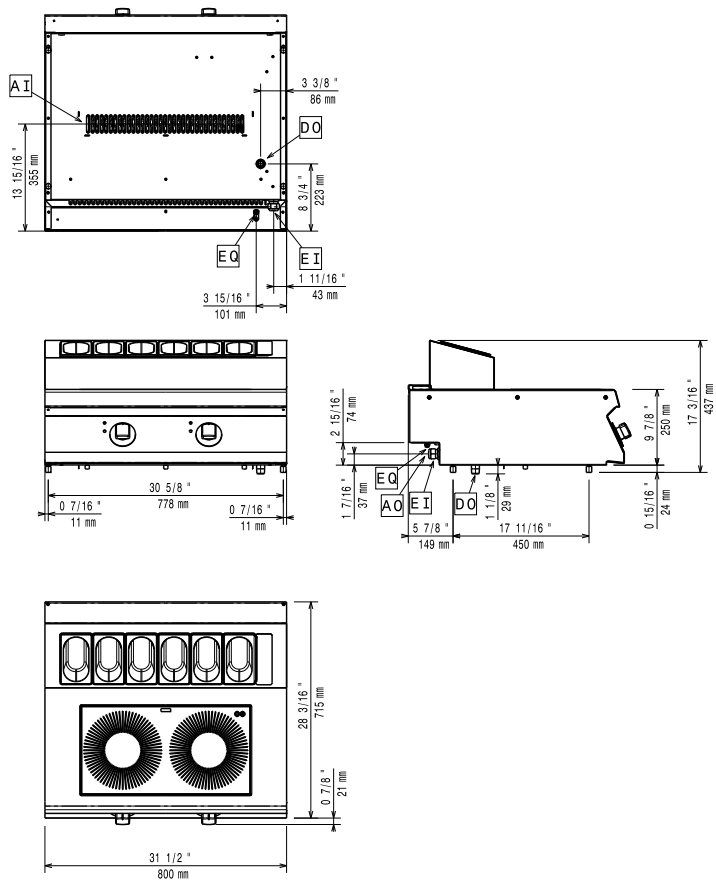
597855W00

LEGEND

	Z7INEH400P 372176
EI - Electrical connection	400 V, 3, 50/60



www.zanussiprofessional.com



597856200

LEGEND	
	Z7INEH2F0P 372023
EI - Electrical connection	400 V, 3, 50/60

